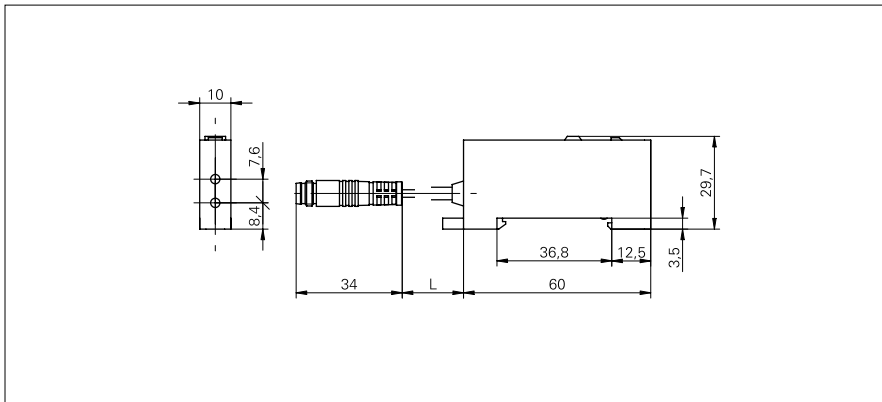


## Fiber optic sensors &amp; cables

## FVDK 10P83Y0/KS35A

## dimension drawing



## general data

version	high sensitivity
actual range $S_b$ (FSE 200C1002)	440 mm
sensing distance $T_w$ (FUE 200C1003)	120 mm
light source	pulsed red LED
light indicator	LED green
alignment / soiled lens indicator	LED green, flashing
output indicator	LED red
adjustment	potentiometer
wave length	680 nm
suppression of reciprocal influence	yes

## electrical data

response time / release time	< 0,5 ms
voltage supply range +Vs	10 ... 30 VDC
current consumption max. (no load)	35 mA
voltage drop $V_d$	< 1 VDC
output function	light / dark operate switchable
off delay	40 ms
output circuit	PNP
output current	< 100 mA
short circuit protection	yes
reverse polarity protection	yes

## mechanical data

width / diameter	10 mm
height / length	29,7 mm
depth	60 mm
type	rectangular
housing material	polycarbonate/ABS
connection types	flylead connector M8 4 pin, L=200 mm

## ambient conditions

operating temperature	-20 ... +60 °C
protection class	IP 40

## photo



## connection diagram

